

Weil Pump Company Inc manufactures a complete line of wastewater pump models and accessory items. Select a model and style that best fits the job requirements.

Weil Pump Company Inc
W57 N14363 Doerr Way
PO Box 887
Cedarburg, WI 53012

Phone: 262-377-1399

Fax: 262-377-0515

Email: sales@weilpump.com

Model Indexes

Click to View

Vertical

- Cover Mount
- Floor Mount

Submersible Single Seal

- Floor Mount
- Removal System

Submersible Double Seal

- Floor Mount
- Removal System

Grinder

- Grinder and Slicer Models
- Vertical
- Submersible
- Dry Well

Stainless Steel

- Vertical
- Submersible

Dry Well

- Submersible Motors
- NEMA Motors

Condensate

- Turbine Pump System
- Centrifugal Pump System
- Vertical

Accessory

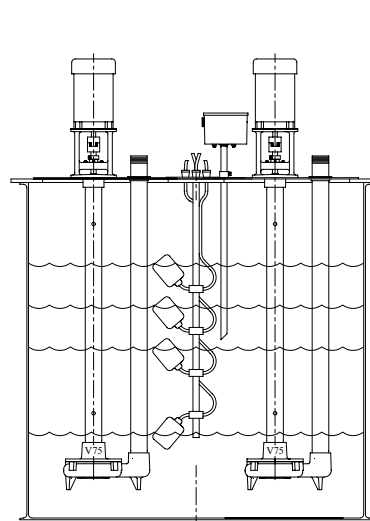
- Removal Systems
- Duplex Wastewater Valves

Control

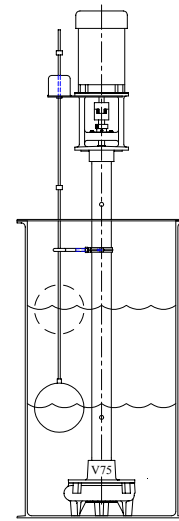
- Control Panels
- Level Controls
- High Water Alarms

Wet Well

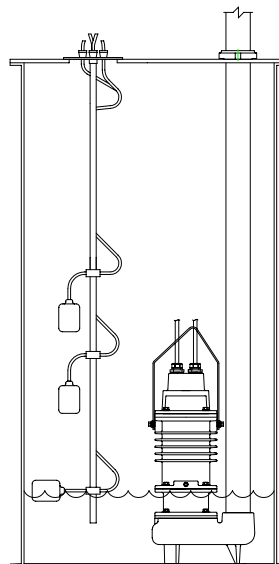
- Wet Well Covers
- Curb Frames



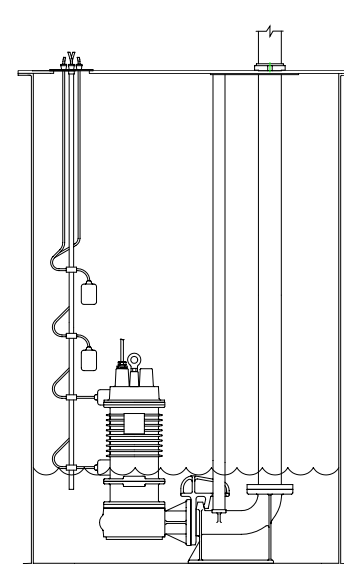
Vertical Cover Mount



Vertical Floor Mount



Submersible Floor Mount



**Submersible
Removal System**

WEIL Wastewater Pumps

Cover Mount and 2613 Removal System

Vertical

Model Index

Cover mount vertical wastewater models are suspended and supported by a floor plate. The floor plate is larger than the opening in the wet well cover and rests on the wet well cover. The opening in the wet well cover is determined by the size of the pump case.

Free-standing models are supported by feet and rest on the wet well floor.

All Models

- Simplex and duplex systems
- Cast iron construction
- Enclosed shaft
- Discharge piping, floor plates, and legs are galvanized
- Totally enclosed fan cooled ball bearing motors are standard
- 1150 or 1750 RPM, 60 Hz
- Single-phase 115 / 208-230 V
- Three-phase 208-230 / 460 V
- Flexible coupling between motor and pump shaft
- Ball thrust bearing on all models. No pump thrust load is transferred to the motor
- Impeller clearance is adjustable
- Grease lines to lower and intermediate bearings on many models
- Bottom suction

Options

- UL Explosion-proof motors
 - Bronze impeller
 - Graphite bearings for hot water
 - Rubber cutless bearing for abrasive waste
 - Models for wet wells from 2 to 15 feet deep
 - Two section construction
 - Stainless Steel shaft
- Some options are not available on all models

Listed by Discharge Size then Solid Size

Model	Disch. Size	Solids Size	Disch. Type	Max. "L"	Mount Style	Max HP	Max GPM	Model
1221	1 1/4	1/2	NPT	80	F C	1/2	60	1221
1307	1 1/2	1/2	NPT	142	C	2	140	1307
1104	1 1/2	3/4	NPT	80	F C	3/4	65	1104
2104	2	Grinder	ANSI	90	2613	2	90	2104
2105	2	Grinder	NPT	100	C	2	90	2105
1316	2	1/2	ANSI	90	2613	2	160	1316
1303	2	1/2	NPT	142	C	5	180	1303
1200	2	3/4	NPT	81	F C	1 1/2	150	1200
1226	2	2	NPT	83	F C	1 1/2	115	1226
1373	3	1	NPT	152	C	15	600	1373
1371	3	1 1/2	NPT	152	C	15	680	1371
2103	3	2 1/4	ANSI	96	2613	5	450	2103
2108	3	2 1/4	NPT	142	C	7 1/2	475	2108
2219	3	2 1/2	NPT	152	C	10	680	2219
1374	4	1	ANSI	152	C	15	600	1374
2107	4	2 1/4	ANSI	96	2613	5	425	2107
2109	4	2 1/4	ANSI	142	C	7 1/2	475	2109
2224	4	2 1/2	ANSI	151	C	15	800	2224
2228	4	2 1/2	ANSI	152	C	30	680	2228
2223	4	3	ANSI	152	C	15	900	2223

F C = Combination floor mount style or cover mount style

C = Cover mount style - Pump floor plate rests on the wet well cover

2613 = Removal System style - Pump requires the 2613 Removal System

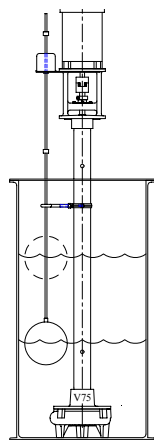
L = Distance up from the bottom of the pump to the floor plate

ANSI = American National Standard Institute 125# flange connection.

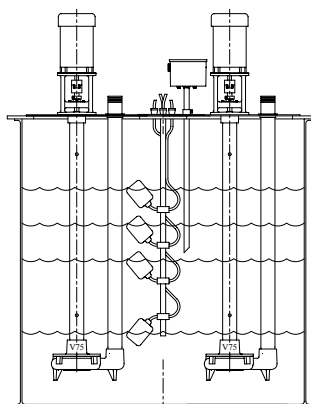
Provided with flange holes for bolts.

NPT = National Pipe Taper. Discharge has a threaded connection

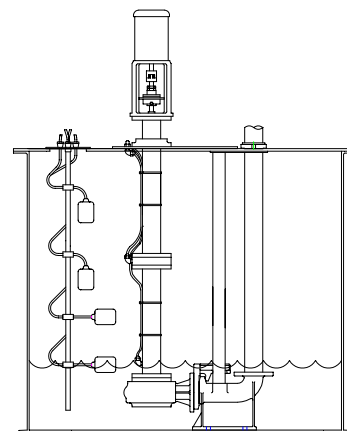
suitable for threaded pipe or fittings.



Floor Mount Style
F



Cover Mount Style
C



Removal System Mount Style
2613

XG

KG

SG-Vertical D10

Copyright© 2010 Weil Pump Company Inc All Rights Reserved

Submersible Single Seal Wastewater Models

- Simplex and duplex systems
- Single mechanical seal
- Cast iron construction
- Stainless Steel shafts
- Power cable – 20 feet
- Single-phase motors are capacitor start, induction run with built-in overload protection.
- Motors 1750 or 3500 RPM
 - Single-phase 115 or 208-230 V, 60 Hz
 - Three-phase 208-230 or 460 V, 60 Hz
- Floor Mount – Vertical discharge with tripod support legs. Connection is NPT.
- Removal System 2613 – Pump can be removed from wet well without disconnecting the discharge piping. The 2613 components are not included with the pump.

Refer to **Accessory Index** page to view 2613 Removal System and 2616 Duplex Valve Assembly

Options

- Bronze impeller
 - Moisture sensor
 - 50 Hz motors
 - High temp seal and o-rings
 - Black epoxy paint
 - Extra power cable lengths
- Some options are not available on all models

ANSI = American National Standard Institute
125# flange connection. Provided with flange holes for bolt mounting.

NPT = National Pipe Taper. Discharge has a female threaded connection suitable for threaded pipe.

Weil submersible motors are air-filled. The only submersible motor with worldwide engineering acceptance is an air-filled motor. The manufacturing cost is higher. The end result is better.

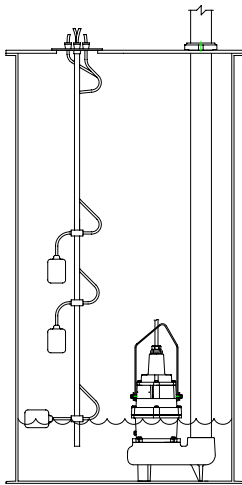
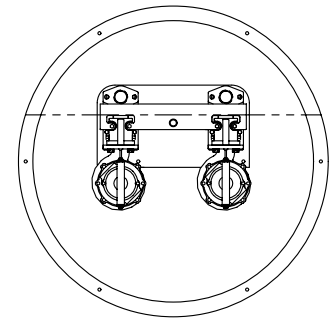
Listed by Discharge Size then Solid Size

Model	Disch. Size	Solids Size	Disch. Type	Mount Style	Max HP	Max GPM	Model
1451	1 1/4	1/8	NPT	Floor	2	65	1451
* 1408	1 1/4	1/2	NPT	Floor	1/3	50	1408
# 1409	1 1/4	1/2	NPT	Floor	1/3	50	1409
1421	1 1/4	1/2	NPT	Floor	1/2	60	1421
1422	1 1/2	1/2	NPT	Floor	3/4	70	1422
* 1412	1 1/2	3/4	NPT	Floor	1/2	65	1412
* 1411	2	1/2	NPT	Floor	1/2	85	1411
1418	2	1/2	ANSI	2613	1 1/2	170	1418
1413	2	1/2	NPT	Floor	1 1/2	170	1413
2442	2	3/4	ANSI	2613	2	130	2442
2443	2	3/4	NPT	Floor	2	130	2443
2445	2	3/4	NPT	Floor	2	140	2445
* 2411	2	2	NPT	Floor	1/2	95	2411
2422	2	2	ANSI	2613	1 1/2	140	2422
2426	2	2	NPT	Floor	1 1/2	140	2426
2428	2	2	NPT	Floor	1	120	2428
2441	3	2	ANSI	2613	2 1/2	260	2441
2427	3	2	NPT	Floor	2 1/2	250	2427
2429	3	2	NPT	Floor	1	150	2429

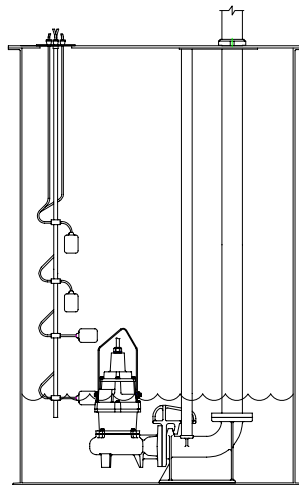
* = 115 V only

= 115 V only, includes level control switch

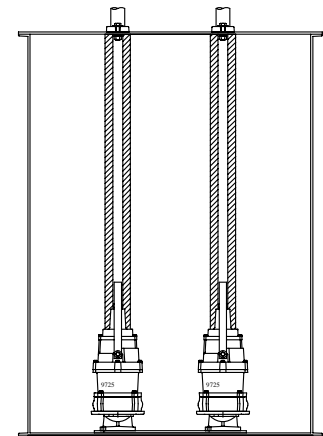
Good wet well design
Maximum 10 starts per hour
Minimum run time – 1 1/2 minutes



Floor Mount Style



**Removal System Style
2613 Simplex**



**Removal System Style
2613 Duplex**



Submersible Double Seal Wastewater Pump

- Simplex and Duplex systems
- Double mechanical seals
- Cast iron construction
- Stainless Steel shafts
- Power cable – 25 feet
- Single-phase motors are capacitor start, induction run with built-in overload protection
- Motors 1150, 1750, or 3500 RPM
 - Single-phase 115 or 208-230 V, 60 Hz
 - Three-phase 208-230 or 460 V, 60 Hz
- Floor Mount – Vertical discharge with tripod support legs. Connection is available as NPT or flanged.
- Removal System 2613 – Pump can be removed from wet well without disconnecting the discharge piping. The 2613 components are not included with the pump.

Refer to **Accessory Index** page to view 2613 Removal System and 2616 Duplex Valve Assembly

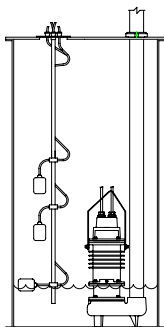
Options

- Bronze impeller
- Moisture sensor and temperature limiter
- Stainless Steel models
- 50 Hz motors
- UL Listed, Class 1, Group C & D explosion proof motor
- High temp seal and o-rings
- Black epoxy paint
- Extra power cable lengths
- Some options are not available on all models

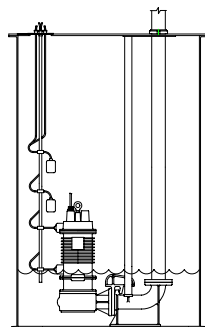
ANSI = American National Standard Institute 125# flange connection. Provided with flange holes for bolt mounting.

NPT = National Pipe Taper. Discharge has a female threaded connection suitable for threaded pipe.

Flange = Weil Oval Compression Flange – Does not require threads on O. D. of pipe. Consists of a rubber compression gasket and a companion flange that fits the O.D. of standard pipe. Tightening the flange bolts clamps the rubber gasket on the O. D. of the pipe. Provides adjustability for pump-to-pipe connection.



Floor Mount



2613 Pump Removal System

Floor Mount Pumps

Listed by Discharge Size then Solid Size

Model	Disch. Size	Solids Size	Disch. Type	Max HP	Max GPM	Model
1618	1 1/4	1/2	NPT	3/4	70	1618
1619	1 1/2	1/2	NPT	3/4	70	1619
1623	2	1/4	NPT	5	120	1623
1601	2	1/2	NPT	2	170	1601
1621	2	3/4	NPT	5	170	1621
2549	2	2	NPT	3	190	2549
2558	2	2	NPT	5	200	2558
1606	2 1/2	1/2	Flange	7 1/2	340	1606
1625	3	1/2	NPT	5	425	1625
1620	3	1	Flange	15	600	1620
1603	3	1 1/4	Flange	15	680	1603
2563	3	2	NPT	5	280	2563
2527	3	2 1/4	Flange	5	425	2527
2545	3	2 1/4	NPT	5	425	2545
2546	3	2 1/2	NPT	5	450	2546
2520	3	2 1/2	Flange	10	680	2520
1629	4	1	NPT	15	600	1629
2528	4	2 1/2	Flange	5	450	2528
2547	4	2 1/2	NPT	5	450	2547
2548	4	2 1/2	NPT	10	680	2548
2531	4	3	Flange	5	425	2531
2519F	4	3	Flange	15	850	2519F

Removal System Pumps - 2613

Listed by Discharge Size then Solid Size

Model	Disch. Size	Solids Size	Disch. Type	Max HP	Max GPM	Model
1624	2	1/4	ANSI	5	120	1624
1607	2	1/2	ANSI	2	160	1607
1622	2	3/4	ANSI	5	170	1622
2554	2	2	ANSI	3	190	2554
2557	2	2	ANSI	5	200	2557
1626	3	1/2	ANSI	5	425	1626
2562	3	2	ANSI	5	280	2562
2515	3	2 1/4	ANSI	5	425	2515
2521	3	2 1/2	ANSI	5	450	2521
2517	4	2 1/4	ANSI	5	425	2517
2523	4	2 1/2	ANSI	5	450	2523
2525	4	2 1/2	ANSI	40	1080	2525
2519	4	3	ANSI	5	850	2535
2535	4	3	ANSI	15	425	2519
2553	4	3	ANSI	40	1300	2553
2529	4	4	ANSI	25	1700	2529
2522	6	2 1/2	ANSI	40	1080	2522
2524	6	3	ANSI	15	850	2524
2532	6	3	ANSI	40	1300	2532
2530	6	4	ANSI	25	1700	2530

Weil submersible motors are air-filled. The only submersible motor with worldwide engineering acceptance is an air-filled motor. The manufacturing cost is higher. The end result is better.

Grinder and Slicer wastewater pumps are available in vertical, submersible, and dry well models.

Vertical models are available as cover mount style or Removal System 2613 style.

Submersible models are available as floor mount style or Removal System 2613 style.

Dry well models are available as horizontal or vertical mount styles.

Grinder Models – To 100 GPM. Solids are reduced to a 3/8-inch diameter by the grinder cutter and shredding ring components. The 3/8-inch solids are then pumped by the impeller into the discharge line. The impeller is sized to efficiently pump the slurry at flows and pressures determined by the system design.

The grinder portion consists of a hardened rotating cutter mounted on a stainless steel motor shaft. A stationary shredding ring is positioned in the pump inlet. On all models the cutter and shredding ring are made from 440C stainless steel hardened to Rockwell 58C. The semi-open impeller is cast iron. A bronze impeller is available as an option.

Slicer Models – To 650 GPM. Effectively slices and cuts sewage solids into pumpable pieces. The slicer will devour sanitary napkins, tampons, disposable diapers, paper towels, newspapers, shop towels, and cigars.

The two slicer blades are 440C stainless steel hardened to Rockwell 58C. One blade rotates with the iron impeller and the other blade is stationary.

The slicer model combines many of the characteristics of non-clog, cutter, and grinder pumps.

A slicer model will process more sewage gallons per minute than a grinder model.

Cover Mount Style = Pump floor plate rests on the wet well cover.

Floor Mount Style = Vertical discharge with tripod support legs. Connection is NPT.

Removal System 2613 - Pump can be removed from wet well without disconnecting the discharge piping. The 2613 components are not included with the pump.

Refer to **Accessory Index** page to view 2613 Removal System and 2616 Duplex Valve Assembly

Vertical Models - Grinder

Listed by Discharge Size then Mount Style

Model	Disch Size	Disch Type	Mount Style	Max "L"	Max HP	Max GPM	Model
2104	2	ANSI	2613	86	1 1/2	90	2104
2105	2	NPT	Cover	100	1 1/2	90	2105

L = Distance up from the bottom of the pump to the floor plate

Submersible Floor Mount Models - Grinder and Slicer

Listed by Discharge Size

Model	Disch Size	Model Type	Pump Seals	Max HP	Max GPM	Model
2439	1 1/4	Grinder	One	1 1/2	50	2439
2417	2	Grinder	One	5/8	65	2417
2437	2	Grinder	One	1 1/2	90	2437
2526	2	Grinder	Two	5	120	2526
2537	3	Slicer	Two	5	260	2537
2538	4	Slicer	Two	5	300	2538

Submersible Removal System Models - Grinder and Slicer

Listed by Discharge Size

Model	Disch Size	Model Type	Pump Seals	Max HP	Max GPM	Model
2436	2	Grinder	One	1 1/2	90	2436
2438	2	Grinder	One	2	50	2438
2516	2	Grinder	Two	5	120	2516
2533	3	Slicer	Two	5	300	2533
2534	4	Slicer	Two	5	300	2534
2536	4	Slicer	Two	15	650	2536

Dry Well Grinder and Slicer Models

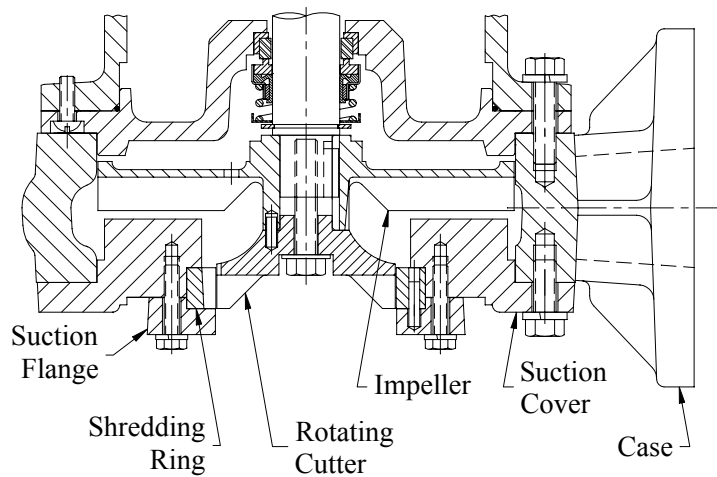
Listed by Discharge Size

Model	Disch Size	Disch Type	Model Type	Max HP	Max GPM	Model
2852	2	ANSI	Grinder	7 1/2	120	2852
2834	3	ANSI	Slicer	5	260	2834
2836	4	ANSI	Slicer	5	260	2836
2838	4	ANSI	Slicer	15	650	2838

ANSI = American National Standard Institute 125# flange connection. Provided with flange holes for bolt mounting.

NPT = National Pipe Taper. Discharge has a female threaded connection suitable for threaded pipe.

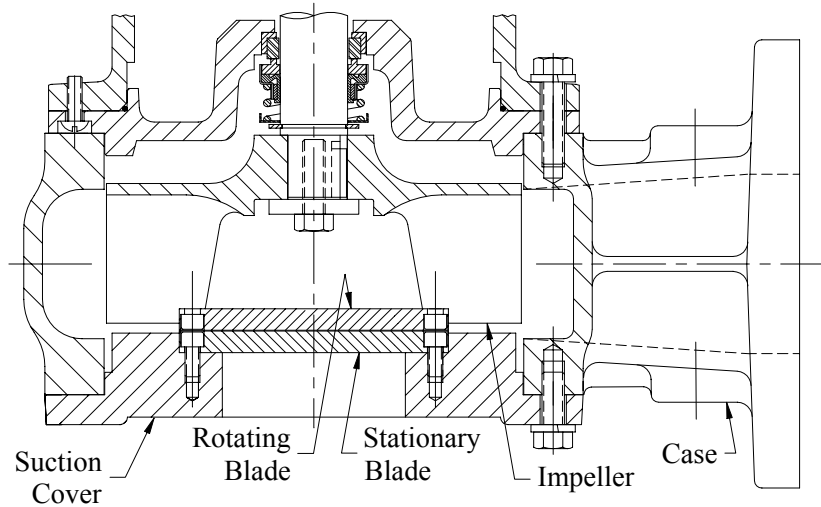
Grinder



The grinder portion consists of a hardened rotating cutter mounted on a stainless steel motor shaft. A stationary shredding ring is positioned in the pump inlet.

On all models the cutter and shredding ring are made from 440C stainless steel hardened to Rockwell 58C. The semi-open impeller is cast iron. A bronze impeller is available as an option.

Slicer



The two slicer blades are 440C stainless steel hardened to Rockwell 58C. One blade rotates with the iron impeller and the other blade is stationary.

The slicer model combines many of the characteristics of non-clog, cutter, and grinder pumps.

A slicer model will process more sewage gallons per minute than a grinder model.

WEIL Wastewater Pumps

Vertical and Submersible Models

Stainless Steel

Model Index

Stainless Steel pumps are available in vertical and submersible floor mount models. All pump components are cast not welded 316 stainless steel.

Vertical models can be installed as cover mount or floor mount. Graphite sleeve bearings and ball thrust bearing are on all models. Vertical models have cast 316 stainless steel wet end components.

- Case
- Impeller
- Shaft
- Leg(s)
- Discharge Pipe

Submersible models are floor mount and have a double tandem seal. Submersible models have cast 316 stainless steel pump and motor components.

- Case
- Impeller
- Motor Shell

All models have NPT discharge.

NPT = National Pipe Taper. Discharge has an threaded connection suitable for threaded pipe or fittings.

CONSTRUCTION GUIDE

CONSTRUCTION	PH	
All Cast Stainless Steel	14	<div style="display: flex; flex-direction: column; align-items: center;"> <div style="margin-bottom: 20px;">Alkaline</div> <div style="margin-bottom: 20px;">Increasing Alkalinity</div> <div style="margin-bottom: 20px;">Increasing Acidity</div> <div>Acid</div> </div>
	13	
	12	
	11	
	10	
All Iron	9	
	8	
Cast Iron or Bronze Fitted	7	
	6	
All Bronze	5	
	4	
All Cast Stainless Steel	3	
	2	
	1	
	0	

Vertical Models - Stainless Steel

Listed by Discharge Size then Solid Size

Model	Disch. Size	Solids Size	Max "L"	Mount Style	Max HP	Max GPM	Model
1222	1 1/2	1/2	80	F C	3/4	80	1222
1245	2	1/2	81	F C	1 1/2	140	1245
1309	2	1/2	93	C	2	160	1309
1311	2	3/4	93	C	5	170	1311
1226	2	2	84	F C	1 1/2	115	1226
2108	3	2 1/4	94	C	5	450	2108

All Dimensions - Inches

L = Distance up from the bottom of the pump to the Floor Plate

C = Cover mount style- Pump floor plate rests on wet well cover

F C = Combination floor mount style or cover mount style

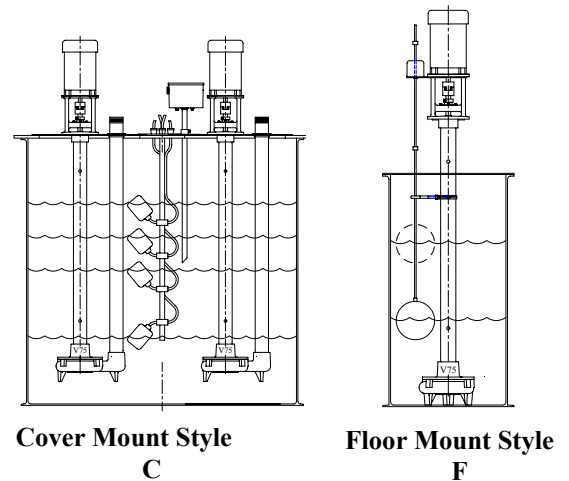
Submersible Models - Stainless Steel

Listed by Discharge Size then Solid Size

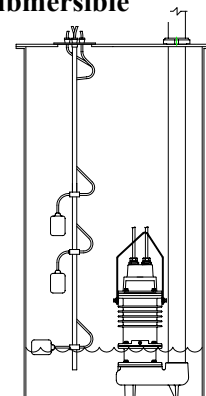
Model	Disch. Size	Solids Size	Max HP	Max GPM	Model
1619	1 1/2	1/2	3/4	70	1619
1601	2	1/2	2	170	1601
1621	2	3/4	5	170	1621
2545	3	2 1/4	5	425	2545

All Dimensions - Inches

Vertical



Submersible



Floor Mount Style

XG

KG

WEIL Wastewater Pumps

Submersible and NEMA Motors

Dry Well

Model Index

Dry well wastewater models are designed to be installed in a dry area adjacent to a wet well.

Dry well models can also be installed as a booster pump in a sewage force main. A typical installation has a submersible pump in the wet well with dry well pumps installed at intervals in the force main.

Dry well models are also used with above ground wet storage tanks. Install with a valve on the suction side, and a valve and check-valve on the discharge side. A compact, easy-to-install and maintain pump arrangement is possible.

All NEMA motors are Totally Enclosed Fan Cooled.

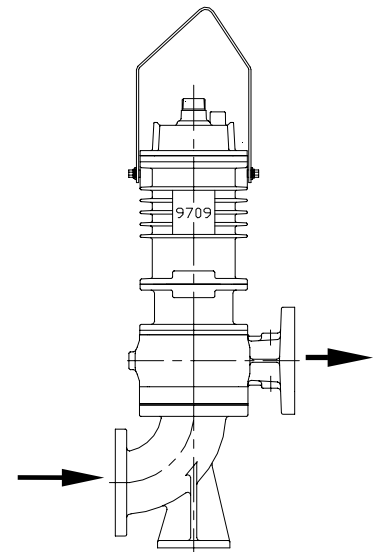
Several dry well models are matched to a Weil double-seal submersible motor. This style is used in locations where flooding of a dry well may occur.

Dry well models with NEMA motors can be either horizontal or vertical mount.

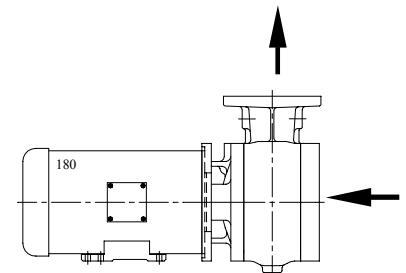
Explosion-proof motors are available on all models.

Listed by Discharge Size then Solid Size.

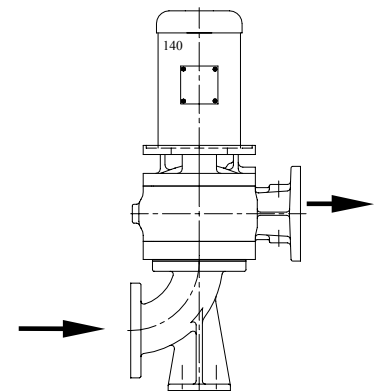
Model	Motor Type	Disch. Size	Suct. Size	Solids Size	Max HP	Max GPM	Model
Submersible Motor - Vertical Mount							
2814	SUB	3 ANSI	3 ANSI	2 1/2	5	340	2814
2815	SUB	4 ANSI	4 ANSI	2 1/2	5	340	2815
2816	SUB	4 ANSI	4 ANSI	3	10	750	2816
NEMA Motor - Horizontal Mount							
2852	NEMA	2 ANSI	3 NPT	Grinder	7 1/2	120	2852
2882	NEMA	2 NPT	2 NPT	1 1/2	3	110	2882
NEMA Motor - Vertical or Horizontal Mount							
2834	NEMA	3 ANSI	3 ANSI	Slicer	5	300	2834
2856	NEMA	3 ANSI	3 ANSI	1/2	30	600	2856
2857	NEMA	3 ANSI	4 ANSI	3/4	40	1050	2857
2854	NEMA	3 ANSI	3 ANSI	2 1/2	10	360	2854
2836	NEMA	4 ANSI	4 ANSI	Slicer	5	260	2836
2838	NEMA	4 ANSI	4 ANSI	Slicer	15	650	2838
2863	NEMA	4 ANSI	4 ANSI	13/16	20	625	2863
2855	NEMA	4 ANSI	4 ANSI	2 1/2	5	360	2855
2879	NEMA	4 ANSI	4 ANSI	2 1/2	40	700	2879
2875	NEMA	4 ANSI	4 ANSI	3	15	850	2875
2878	NEMA	4 ANSI	4 ANSI	3	20	1300	2878



**Submersible Motor
Vertical Mount**



**NEMA Motor
Horizontal Mount**



**NEMA Motor
Vertical Mount**

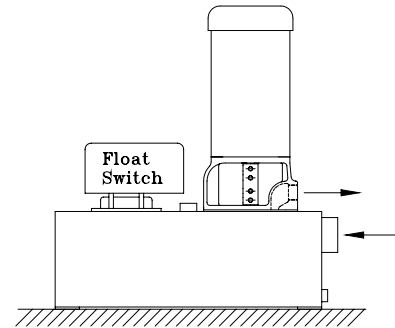
Vertical mount floor elbows are ANSI flanged 90° with foot mounting

ANSI = American National Standard Institute 125# flange connection. Provided with flange holes for bolt mounting.

NPT = National Pipe Taper. Discharge has a female threaded connection suitable for threaded pipe.

**4100 Condensate Return System
Turbine Pumps**

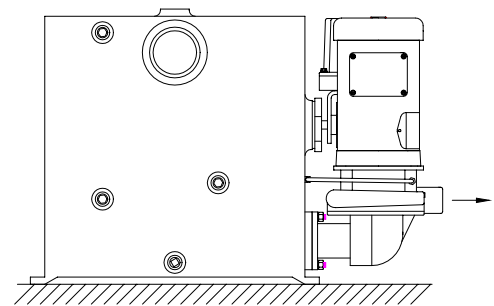
- Turbine pump, vertically mounted
- Simplex and duplex systems
- Cast iron or all-bronze pump construction
- Steel receiver
- GPM - 1 1/2 through 35 GPM
- PSI - 10 through 40



4100

**4200 Condensate Return System
Centrifugal Pumps**

- Centrifugal pump
- Simplex or duplex systems
- Cast iron pump
- Steel receiver
- GPM - 3 through 75
- PSI - 10 through 50



4200

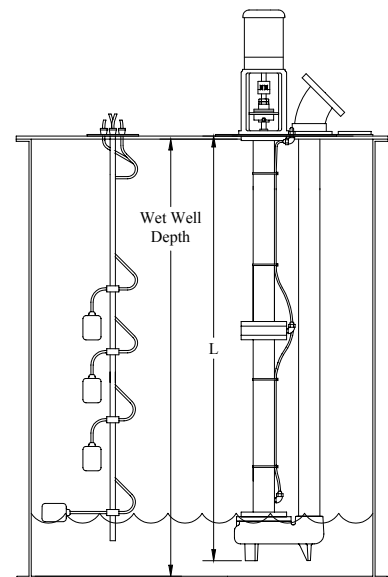
4500 Vertical

Cover mount 4500 vertical condensate models are suspended and supported by a floor plate. The floor plate is larger than the opening in the wet well cover and rests on the wet well cover.

- Simplex and duplex system
- Cast iron construction
- Stainless steel shaft
- Bronze impeller
- Graphite bearing

Listed by Discharge Size

Model	Disch Size	Disch Type	Max "L"	Max HP	Max GPM	Model
4507	1-1/2	NPT	141	7 1/2	150	4507
4503	2	NPT	141	3	150	4503
4521	3	NPT	152	15	600	4521



4500 Vertical

Removal System - 2613

The 2613 removal system permits removal and re-installation of a pump without disturbing the discharge piping. The pump is bolted to the sliding bracket. The cast iron floor elbow is mounted to the Sub Base or the wet well floor. A wedge type design between the sliding bracket and floor elbow assures a tight fit. Guide pipes are mounted on the floor elbow and an upper guide pipe bracket. The guide pipes steer the pump to a perfect landing on the floor elbow. Available in 2, 3, 4, or 6 inch ANSI discharge sizes.

System Description

- One - Discharge Floor Elbow
- One - Sliding Bracket - Select
 - Iron or
 - Bronze for use with Explosion Proof Motor
- One - Guide Pipe Bracket - Select
 - A - Flat (cover mount) - bolts to wet well cover or
 - B - Angle 90° (side mount) - bolts to vertical Side wall or
 - C - BCB-1 bracket - mounts to discharge pipe
 - D - BCB-2 Duplex bracket - 2, 3, or 4 inch only

Not Included

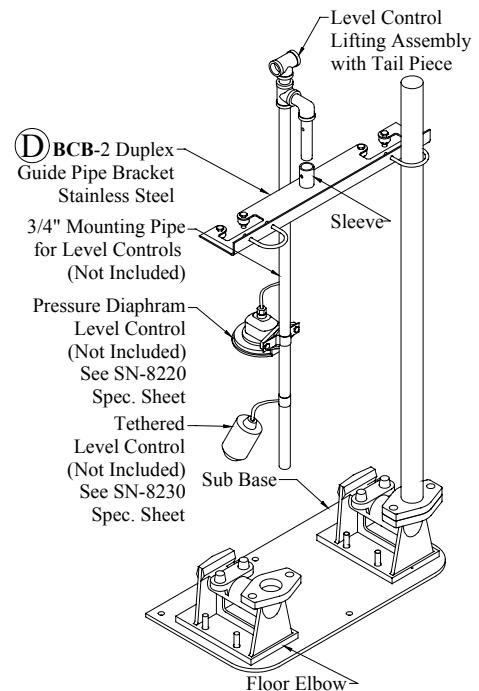
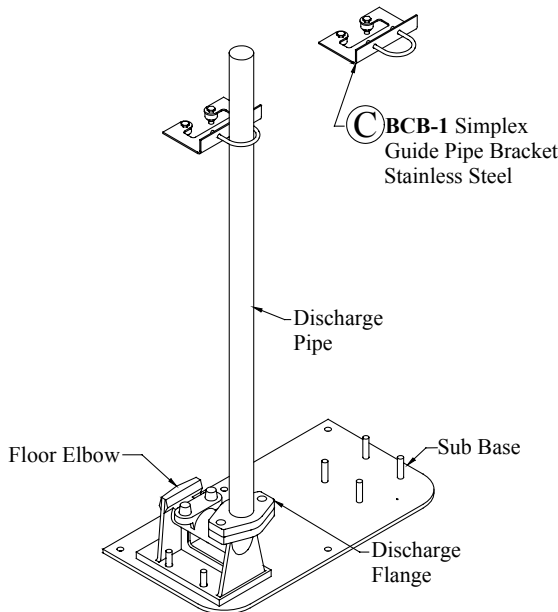
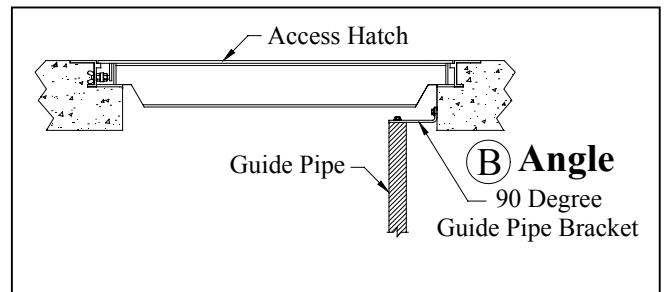
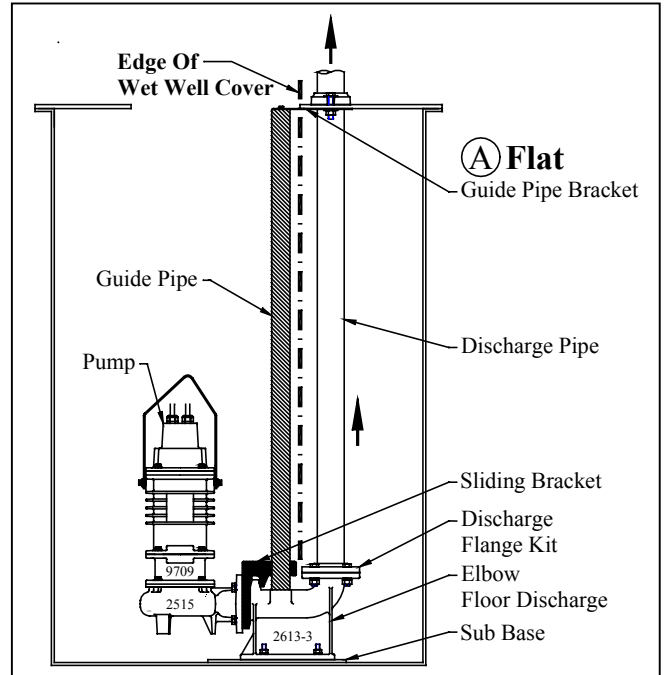
Guide Pipes, Discharge Pipe, Flanges

Options

- Discharge Flange Kit for Floor Elbow
- Intermediate Guide Pipe Bracket
- Sub Base for Floor Elbows
- Level Control Lifting Assembly for BCB Duplex Bracket

Sub Base - Duplex 2613

Floor Elbow		Distance between center of discharges
Size	Size	
2	14 x 26 x .375	18
3	18 x 30 x .375	22
4	20 x 34 x .375	26
6	26 x 48 x .500	32



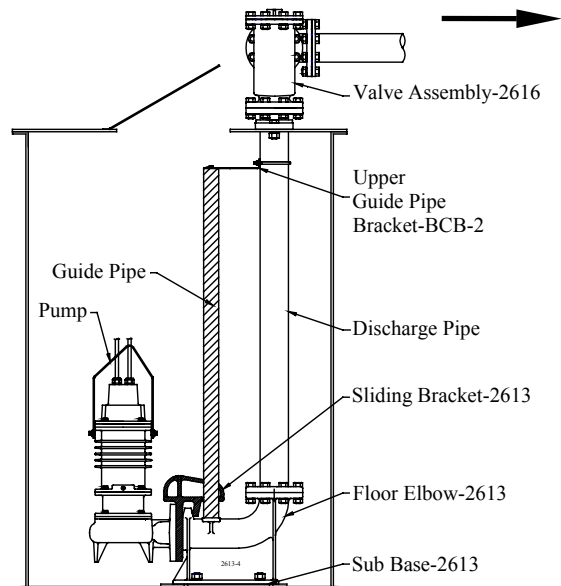
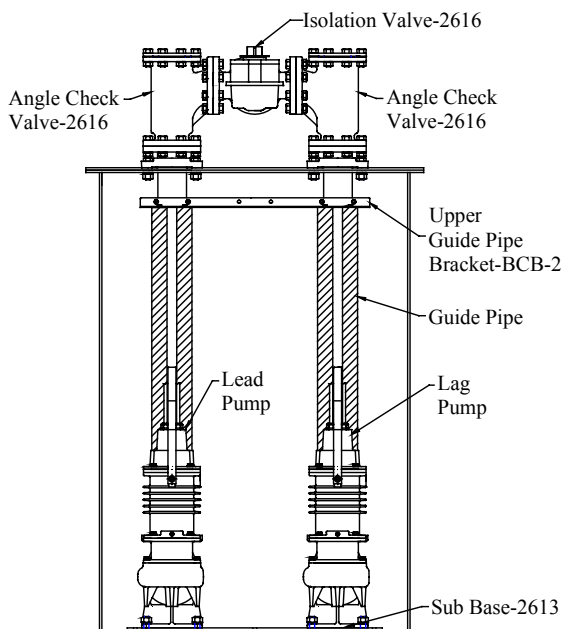
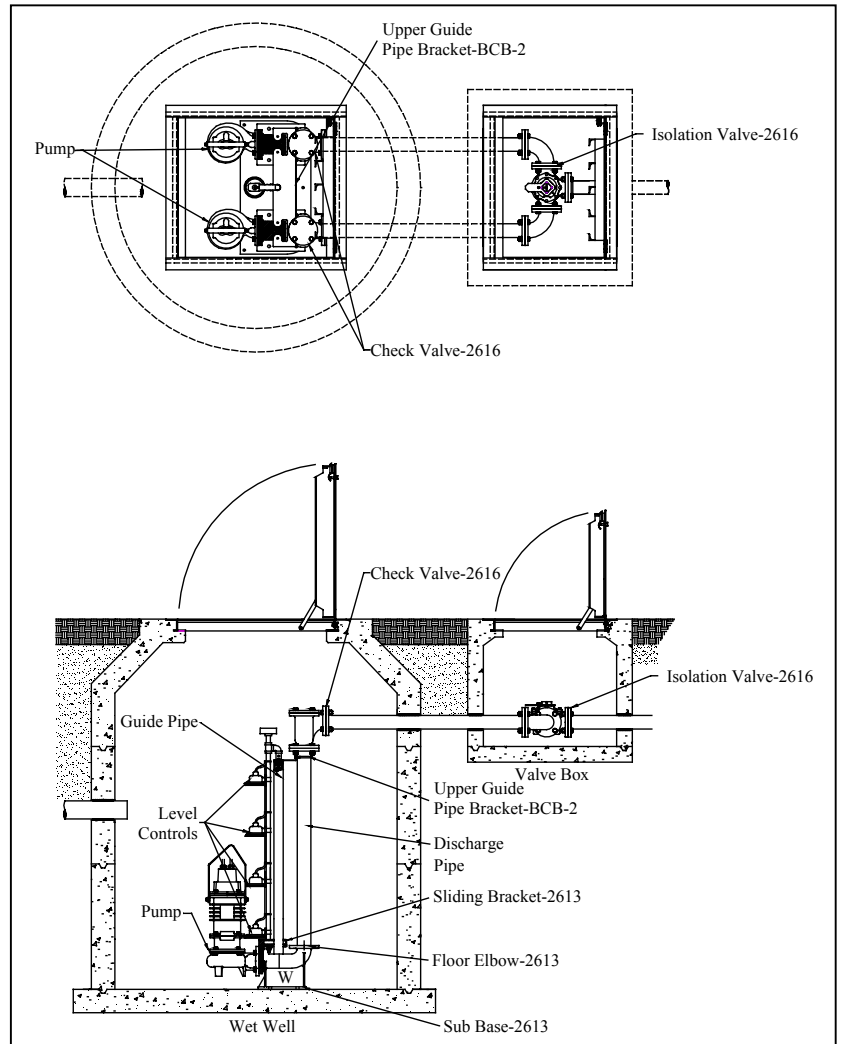
Duplex Valve Assembly – 2616

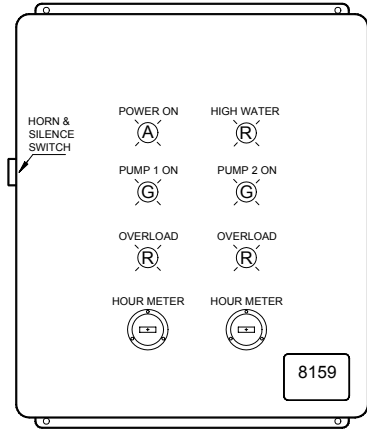
The 2616 valve assembly has the check valve and isolation valve requirements for a duplex wastewater pumping system combined into one unit. The 2616 assembly consists of two wastewater check valves and one four-way isolation valve.

The four-way valve can isolate the lead pump, the lag pump, or the discharge line. The standard operating position has the lead pump and lag pump open to the discharge.

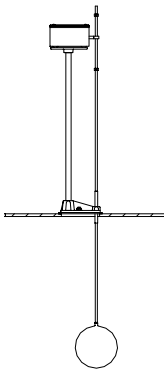
The check valves and isolation valve body have standard ANSI B61 iron 125 PSI flanges.

The 2616 valve assembly saves many hours of installation time. Available in 2, 3, or 4 inch ANSI flange discharge sizes.

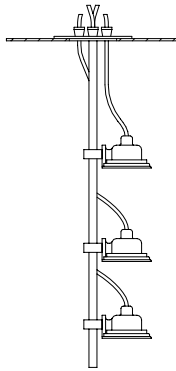




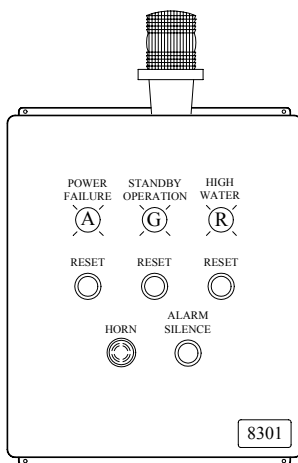
**Control Panel
8159**



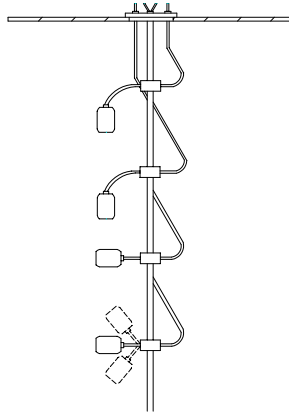
**Lever
8213**



**Pressure Diaphragm
8220**



**High Water Alarm Panel
8301**



**Tethered
8230**

Control Panels - 8100

Weil makes a full line of control panels. Controls can be used with vertical, submersible and dry well pump systems.

Control Panel models

Simplex panel controls one pump.

Duplex panel controls and alternates two pumps.

Triplex panel controls and alternates three pumps.

Available in NEMA 1, 4 Double Door Dead Front, and 4X enclosures.

Enclosures are fiberglass, steel, or stainless steel.

Explosion proof models are available.

Standard features on most panels include disconnect, U/L label, pump selector switches, power to pump light, and high water alarm.

Optional features include hour meters, motor overload light, moisture sensor / temperature limiter circuit, and intrinsically safe relay for pumps with explosion proof motors.

Level Controls - 8200

All level controls can be used with either vertical or submersible pump systems.

• **Lever**

Lever switches are mounted on a pedestal and actuated by a rod, which is moved by a float.

8201 – Simplex

8211 – Duplex Alternator

8213 – Duplex Non-Alternating

• **Pressure Diaphragm - 8220**

Pressure diaphragm controls sense liquid level by means of a diaphragm actuated micro switch.

• **Tethered**

Tethered switches are available in both pilot and HP rated units.

8230 – Tethered

8234 – Tethered – Intrinsically Safe

8235 – Tethered – High Temperature

8245 – Tethered – Piggyback

High Water Alarms - 8300

8301 - Remote fail safe alarm panels.

8311 - Compression type high water alarm switch.

8341 - High water alarm panel with buzzers and test switches.

Wet Well Covers

Wet Well covers are available in round, square and rectangular design with pump opening for simplex or duplex installation. Covers are available for vertical or submersible wastewater pump models. Covers can be bolted to a curb frame and set in concrete or bolted to the top flange of a wet well.

- **8816 Curb Ring or Curb Frame**
Standard Mount
Flush Mount
- **8817 Pump Opening Cover**
- **8818 Access Hatch**
For concrete wet wells

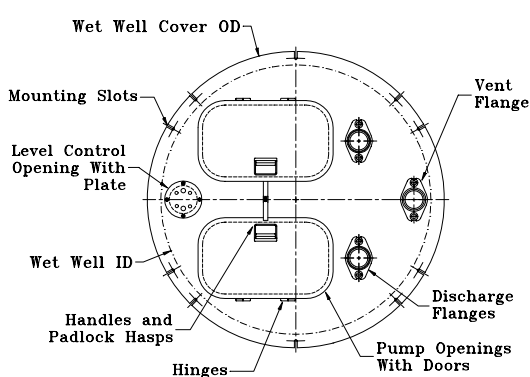
Cover Model Description

Model	Cover Style	Mat'l	Pump Mount	Pump Type	Opening Type	Pump Openings
8804	Round	Steel	2613 Removal	Submersible	Door	One & Two
8805	Round	Steel	Cover & Floor	Vertical & Submersible	Pump Opening	One & Two
8806	Round	Fiberglass	2613 Removal	Submersible	Two Piece	--
8814	Square	Steel	Cover & Floor	Vertical & Submersible	Pump Opening	One & Two
8815	Square	Steel	2613 Removal	Submersible	Door	One & Two

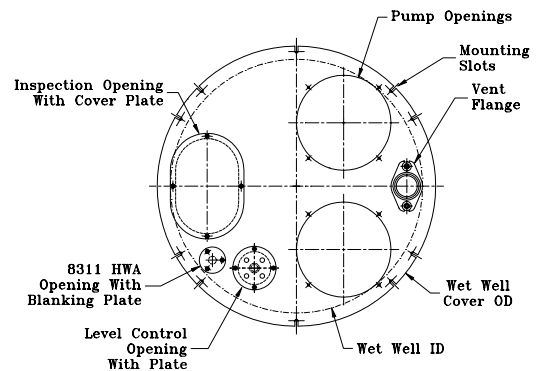
Cover Model Availability

Model	Discharge	Thickness	Wet Well Size
8804 Round			
Simplex	2, 3	3/8	24, 30, 36
Duplex	2, 3, 4, 6	3/8, 1/2	36, 42, 48, 60, 72
8805 Round			
Simplex	--	3/8	24, 30
Duplex	--	1/4, 3/8, 1/2	24, 30, 36, 42, 48, 54, 60, 72
8806 Round	2, 3, 4	1/2	36, 42, 48, 60
8814 Square			
Simplex	--	1/4, 3/8	24 x 24, 30 x 30, 36 x 36
Duplex	--	3/8, 1/2	30 x 30, 36 x 36, 42 x 42, 48 x 48, 54 x 54, 60 x 60, 72 x 72
8815 Square			
Simplex	2, 3	3/8	24 x 24, 30 x 30, 36 x 36
Duplex	2, 3, 4, 6	3/8, 1/2	36 x 36, 42 x 42, 48 x 48, 60 x 60, 72 x 72, 84 x 84

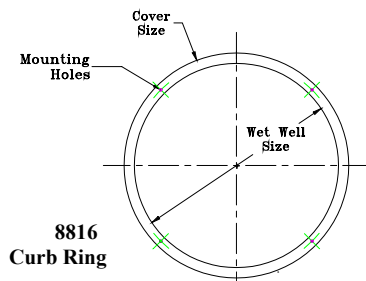
All Dimension Inches



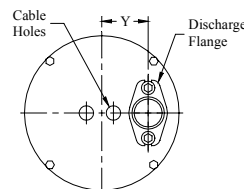
8804 Duplex Round Wet Well Cover
Submersible Models with 2613 Removal System



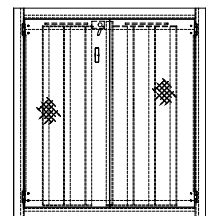
8805 Duplex Round Wet Well Cover
Vertical and Submersible Floor Mount Models



8816 Curb Ring



8817 Pump Opening Cover



8818 Access Hatch